



# 1734 POINT I/O Dual Port EtherNet/IP Adapter

Catalog number 1734-AENTR, Series B

## Table of Contents

<b>Topic</b>	<b>Page</b>
Important User Information	2
Environment and Enclosure	3
Preventing Electrostatic Discharge	3
North American Hazardous Location Approval	5
European Hazardous Location Approval	6
About The Adapter	7
Before You Begin	8
Firmware Backward Compatibility	8
Understand Messaging	8
Configure Autobaud	8
Install the Adapter	9
Set the Network Address	11
Replace The Adapter	12
Wire The Adapter	14
Interpret Status Indicators	16
Specifications	18

### Important User Information

Solid-state equipment has operational characteristics differing from those of electromechanical equipment. Safety Guidelines for the Application, Installation and Maintenance of Solid State Controls (Publication [SGI-1.1](#) available from your local Rockwell Automation sales office or online at <http://www.rockwellautomation.com/literature/>) describes some important differences between solid-state equipment and hard-wired electromechanical devices. Because of this difference, and also because of the wide variety of uses for solid-state equipment, all persons responsible for applying this equipment must satisfy themselves that each intended application of this equipment is acceptable.





In no event will Rockwell Automation, Inc. be responsible or liable for indirect or consequential damages resulting from the use or application of this equipment.

The examples and diagrams in this manual are included solely for illustrative purposes. Because of the many variables and requirements associated with any particular installation, Rockwell Automation, Inc. cannot assume responsibility or liability for actual use based on the examples and diagrams.

No patent liability is assumed by Rockwell Automation, Inc. with respect to use of information, circuits, equipment, or software described in this manual.

Reproduction of the contents of this manual, in whole or in part, without written permission of Rockwell Automation, Inc., is prohibited.

Throughout this manual, when necessary, we use notes to make you aware of safety considerations.

	<b>WARNING:</b> Identifies information about practices or circumstances that can cause an explosion in a hazardous environment, which may lead to personal injury or death, property damage, or economic loss.
	<b>ATTENTION:</b> Identifies information about practices or circumstances that can lead to personal injury or death, property damage, or economic loss. Attentions help you identify a hazard, avoid a hazard and recognize the consequences.
	<b>SHOCK HAZARD:</b> Labels may be on or inside the equipment (for example, drive or motor) to alert people that dangerous voltage may be present.
	<b>BURN HAZARD:</b> Labels may be on or inside the equipment (for example, drive or motor) to alert people that surfaces may reach dangerous temperatures.
<b>IMPORTANT</b>	Identifies information that is critical for successful application and understanding of the product.

---

## Environment and Enclosure

---



**ATTENTION:** This equipment is intended for use in a Pollution Degree 2 industrial environment, in overvoltage Category II applications (as defined in IEC 60664-1), at altitudes up to 2000 m (6562 ft) without derating.

This equipment is not intended for use in residential environments and may not provide adequate protection to radio communication services in such environments.

This equipment is supplied as open-type equipment. It must be mounted within an enclosure that is suitably designed for those specific environmental conditions that will be present and appropriately designed to prevent personal injury resulting from accessibility to live parts. The enclosure must have suitable flame-retardant properties to prevent or minimize the spread of flame, complying with a flame spread rating of 5VA or be approved for the application if nonmetallic. The interior of the enclosure must be accessible only by the use of a tool. Subsequent sections of this publication may contain additional information regarding specific enclosure type ratings that are required to comply with certain product safety certifications.

In addition to this publication, see the following:

- Industrial Automation Wiring and Grounding Guidelines, publication [1770-IN041](#), for additional installation requirements.
- NEMA Standard 250 and IEC 60529, as applicable, for explanations of the degrees of protection provided by enclosures.

---

## Preventing Electrostatic Discharge

---



**ATTENTION:** This equipment is sensitive to electrostatic discharge, which can cause internal damage and affect normal operation. Follow these guidelines when you handle this equipment:

- Touch a grounded object to discharge potential static.
  - Wear an approved grounding wriststrap.
  - Do not touch connectors or pins on component boards.
  - Do not touch circuit components inside the equipment.
  - Use a static-safe workstation, if available.
  - Store the equipment in appropriate static-safe packaging when not in use.
-

### Additional Resources



Refer to these related publications, as needed.

<b>Resource</b>	<b>Description</b>
1734 POINT I/O® and 1738 ArmorPOINT I/O® Dual Port EtherNet/IP Adapter User Manual, publication <a href="#">1734-UM017</a> .	A detailed description of module functionality, configuration, installation procedure and information on how to use the POINT I/O and ArmorPOINT I/O Dual Port EtherNet/IP adapters (1734-AENTR, Series B and 1738-AENTR, Series B, respectively).
Industrial Automation Wiring and Grounding Guidelines, publication <a href="#">1770-IN041</a> .	More information on proper wiring and grounding techniques.

If you would like a manual, you can:

- download a free electronic version from the internet:  
<http://www.rockwellautomation.com/literature/>
- purchase a printed manual by contacting your local Allen-Bradley distributor or Rockwell Automation representative.

## North American Hazardous Location Approval

<p><b>The following information applies when operating this equipment in hazardous locations:</b></p>	<p><b>Informations sur l'utilisation de cet équipement en environnements dangereux:</b></p>
<p>Products marked "CL I, DIV 2, GP A, B, C, D" are suitable for use in Class I Division 2 Groups A, B, C, D, Hazardous Locations and nonhazardous locations only. Each product is supplied with markings on the rating nameplate indicating the hazardous location temperature code. When combining products within a system, the most adverse temperature code (lowest "T" number) may be used to help determine the overall temperature code of the system. Combinations of equipment in your system are subject to investigation by the local Authority Having Jurisdiction at the time of installation.</p>	<p>Les produits marqués "CL I, DIV 2, GP A, B, C, D" ne conviennent qu'à une utilisation en environnements de Classe I Division 2 Groupes A, B, C, D dangereux et non dangereux. Chaque produit est livré avec des marquages sur sa plaque d'identification qui indiquent le code de température pour les environnements dangereux. Lorsque plusieurs produits sont combinés dans un système, le code de température le plus défavorable (code de température le plus faible) peut être utilisé pour déterminer le code de température global du système. Les combinaisons d'équipements dans le système sont sujettes à inspection par les autorités locales qualifiées au moment de l'installation.</p>
<div style="display: flex; align-items: center;">  <div> <p><b>EXPLOSION HAZARD</b></p> <ul style="list-style-type: none"> <li>• Do not disconnect equipment unless power has been removed or the area is known to be nonhazardous.</li> <li>• Do not disconnect connections to this equipment unless power has been removed or the area is known to be nonhazardous. Secure any external connections that mate to this equipment by using screws, sliding latches, threaded connectors, or other means provided with this product.</li> <li>• Substitution of components may impair suitability for Class I, Division 2.</li> <li>• If this product contains batteries, they must only be changed in an area known to be nonhazardous.</li> </ul> </div> </div>	<div style="display: flex; align-items: center;">  <div> <p><b>RISQUE D'EXPLOSION</b></p> <ul style="list-style-type: none"> <li>• Couper le courant ou s'assurer que l'environnement est classé non dangereux avant de débrancher l'équipement.</li> <li>• Couper le courant ou s'assurer que l'environnement est classé non dangereux avant de débrancher les connecteurs. Fixer tous les connecteurs externes reliés à cet équipement à l'aide de vis, loquets coulissants, connecteurs filetés ou autres moyens fournis avec ce produit.</li> <li>• La substitution de composants peut rendre cet équipement inadapté à une utilisation en environnement de Classe I, Division 2.</li> <li>• S'assurer que l'environnement est classé non dangereux avant de changer les piles.</li> </ul> </div> </div>

## European Hazardous Location Approval

---

### The following applies when the product bears the Ex Marking

This equipment is intended for use in potentially explosive atmospheres as defined by European Union Directive 94/9/EC.

DEMKO certifies that this equipment has been found to comply with the Essential Health and Safety Requirements relating to the design and construction of Category 3 equipment intended for use in Zone 2 potentially explosive atmospheres, given in Annex II to this Directive.

Compliance with the Essential Health and Safety Requirements has been assured by compliance with EN 60079-0:2012+A11:2013, EN 60079-15:2010, reference certificate number DEMKO 04ATEX0330347X.

---

---



**ATTENTION:** This equipment is not resistant to sunlight or other sources of UV radiation.

---

---



**WARNING:** This equipment shall be mounted in an ATEX certified enclosure with a minimum ingress protection rating of at least IP54 (as defined in IEC60529) and used in an environment of not more than Pollution Degree 2 (as defined in IEC 60664-1) when applied in Zone 2 environments. The enclosure must utilize a tool removable cover or door.

**WARNING:** This equipment shall be used within its specified ratings defined by Rockwell Automation.

**WARNING:** Provision shall be made to prevent the rated voltage from being exceeded by transient disturbances of more than 140% of the rated voltage when applied in Zone 2 environments.

**WARNING:** This equipment must be used only with ATEX certified Rockwell Automation backplanes.

**WARNING:** Secure any external connections that mate to this equipment by using screws, sliding latches, threaded connectors, or other means provided with this product.

**WARNING:** Do not disconnect equipment unless power has been removed or the area is known to be nonhazardous.

---

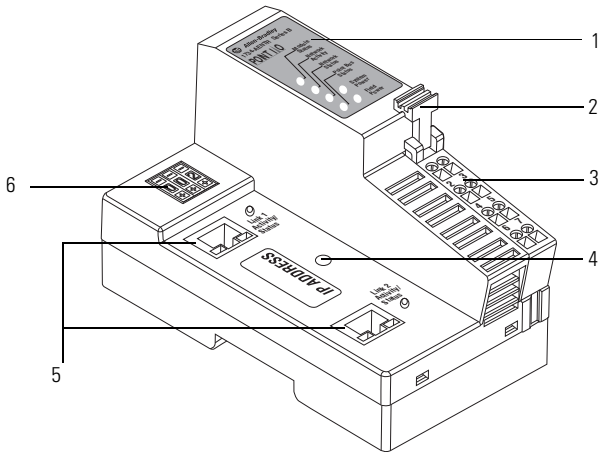
---

## About The Adapter

Read this publication for information about the Series B, POINT I/O Dual Port EtherNet/IP adapter, a communications adapter for POINT I/O modules.

This adapter is for the POINT I/O backplane that provides connectivity to an EtherNet/IP network with two RJ-45 connectors for 2 port pass-through to support daisy-chain or ring, and the existing star and tree network topologies.

### 1734-AENTR Adapter, Series B



44849

	Description		Description
1	Status indicators	4	DIN rail locking screw (orange)
2	Removable Terminal Block (RTB) handle	5	Ethernet network RJ-45 connectors
3	Removable Terminal Block (RTB)	6	Node address pen push thumbwheel

## Before You Begin

To effectively use your adapter, note the following considerations.

### Firmware Backward Compatibility

The 1734-AENTR Add-on Profiles are compatible with RSLogix 5000 software version 17, or greater.

If you use the 1734-AENTR adapter with a 1756-ENBT module, use the following required firmware versions for these bridge modules:

- 1756-ENBT firmware version 4.006 or greater
- 1768-ENBT firmware version 2.003 or greater

The 1734-AENTR adapters will accept I/O connections with compatible electronic keying for the 1734-AENT. This allows the 1734-AENTR adapter to be used in a daisy-chain topology with the 1734-AENT Add-on Profile used for the 1734-AENTR. Add-on Profiles can be downloaded from:

<https://www.rockwellautomation.com/rockwellautomation/support/downloads.page>

### Understand Messaging

Class 3 (Explicit Message) requests through the 1734-AENTR adapter to a specific POINT I/O module do not always receive a response from the I/O modules. In the case where the I/O module does not reply to the request, the adapter responds with an error code indicating a time-out.

### Configure Autobaud

The adapter cannot reconfigure an I/O module that you previously configured to operate at a fixed baud rate. When you reuse a POINT I/O module from another POINT I/O system, configure the module to autobaud before using it with the adapter.



## Install the Adapter

Follow this procedure to install the adapter on the DIN rail.

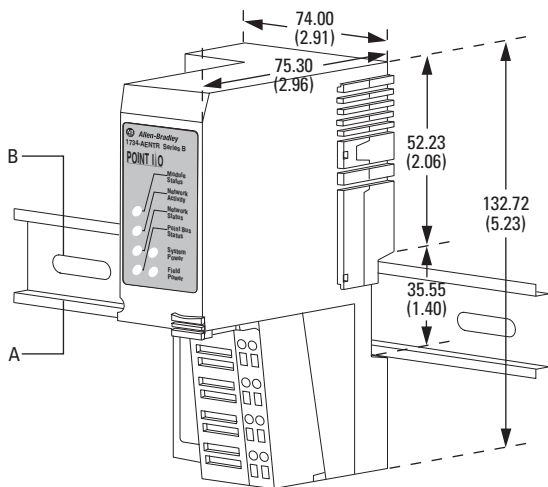


**ATTENTION:** You must only use Series C POINT I/O modules with 1734-AENTR EtherNet/IP Adapters. Series A or Series B POINT I/O modules will not work with 1734-AENTR EtherNet/IP Adapters (does not apply to POINTGuard modules).

## Mount the POINT I/O Dual Port EtherNet/IP Adapter on a DIN Rail

Position the I/O adapter vertically above the DIN rail. Make sure that the DIN rail lock is in horizontal position.

1. Position the adapter module on an IEC standard (35 x 7.5 x 1 mm) top-hat DIN rail at a slight angle (DIN rail: Allen-Bradley part number **199-DR1**; **46277-3**; **EN50022**).



**A** = DIN rail

**B** = Secure DIN rail approximately every 200 mm (7.8 in.)

45174

## 10 1734 POINT I/O Dual Port EtherNet/IP Adapter

---

2. Press down firmly to install the adapter on a DIN rail, noting that the locking mechanism locks the adapter to the DIN rail.
  3. Set the node address on the node address pen push thumbwheel. See [Set the Network Address](#) for more information on setting the IP address.
  4. Slide the safety end cap up to remove it, exposing the backplane and power interconnections.
- 



**ATTENTION:** Do not discard the end cap. Use this end cap to cover the exposed interconnections on the last mounting base on the DIN rail. Failure to do so could result in equipment damage or injury from electric shock.

---



**ATTENTION:** This product is grounded through the DIN rail to chassis ground. Use zinc plated yellow-chromate steel DIN rail to assure proper grounding. The use of other DIN rail materials (for example, aluminum or plastic) that can corrode, oxidize, or are poor conductors, can result in improper or intermittent grounding. Secure DIN rail to mounting surface approximately every 200 mm (7.8 in.) and use end-anchors appropriately.

---



**ATTENTION:** Allow 25.4 mm (1 in.) of space between adjacent equipment for adequate ventilation.

---



**WARNING:** If you connect or disconnect the communications cable with power applied to this module or any device on the network, an electrical arc can occur. This could cause an explosion in hazardous location installations. Be sure that power is removed or the area is nonhazardous before proceeding.

---



**ATTENTION:** Do not remove or replace an Adapter Module while power is applied. Interruption of the backplane can result in unintentional operation or machine motion.

---

## Set the Network Address

The adapter ships with the pen push thumbwheel switches set to 999 and DHCP enabled. You can set the network Internet Protocol (IP) address in the following ways:

- Use the pen push thumbwheel switches on the adapter.
- Use a Dynamic Host Configuration Protocol (DHCP) server, such as Rockwell Automation BootP/DHCP.
- Retrieve the IP address from nonvolatile memory.

The adapter reads the thumbwheel switches first to determine if the switches are set to a valid number. You set the node address using the 3-position pen push thumbwheel switch using a pen tip. Press the + or - buttons with a pen tip to change the number.

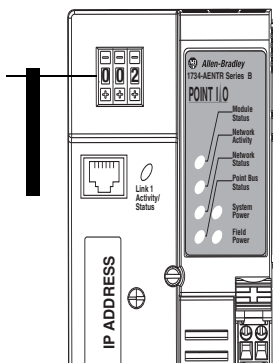
**Note:** Press a pen tip into the center of the button cross, perpendicular to the button. You only need a small amount of force to press the button (approximately 2N).

Valid settings range from **001...254**. When you use the thumbwheel to assign an address and set it to **001**, the adapter gateway address is set to **0.0.0.0** and the subnet mask is **255.255.255.0**. When you use the thumbwheel to assign an address and set it between **002...254**, the adapter gateway address is set to **192.168.1.1**.

The adapter does not have a host name assigned, or use any Domain Name System when using the thumbwheel settings.

### Network Address Thumbwheel

Network node address  
pen push thumbwheel –  
Press the **center** of either  
the + or - buttons to  
change the number



44848

Refer to publication POINT I/O and ArmorPOINT I/O Dual Port EtherNet/IP Adapter User Manual, [1734-UM017](#) for more information.

## 12 1734 POINT I/O Dual Port EtherNet/IP Adapter

---

If you set the switches to an invalid number (for example, 000 or a value greater than 254 excluding 888), the adapter checks to see if you enabled DHCP.

---

### DHCP Enabled and Not Enabled

DHCP State	Adapter Action
Enabled	Asks for an address from a DHCP server. The DHCP server also assigns other Transport Control Protocol (TCP) parameters.
Not enabled	Uses the IP address (along with other TCP configurable parameters) stored in nonvolatile memory.

---



**WARNING:** When you change switch settings while power is on, an electrical arc can occur. This could cause an explosion in hazardous location installations.

Be sure that power is removed or the area is nonhazardous before proceeding.

---

## Replace The Adapter

Use these procedures to install a replacement adapter to an existing system.

1. Disconnect the Ethernet connector(s) from the adapter.
2. Pull up on the Removable Terminal Block (RTB) handle to remove the terminal block.



**WARNING:** When you insert or remove the module while backplane power is on, an electrical arc can occur. This could cause an explosion in hazardous location installations.

Be sure that power is removed or the area is nonhazardous before proceeding. Repeated electrical arcing causes excessive wear to contacts on both the module and its mating connector. Worn contacts may create electrical resistance that can affect module operation.

---



**WARNING:** When you connect or disconnect the Removable Terminal Block (RTB) with field side power applied, an electrical arc can occur. This could cause an explosion in hazardous location installations.

Be sure that power is removed or the area is nonhazardous before proceeding.

---



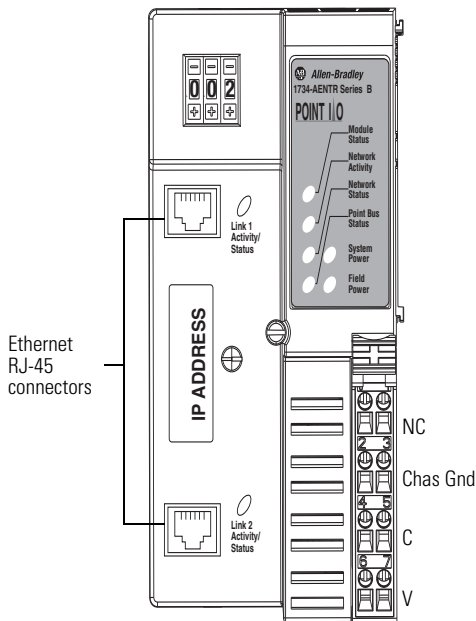
**WARNING:** If you connect or disconnect the communications cable with power applied to this module or any device on the network, an electrical arc can occur. This could cause an explosion in hazardous location installations. Be sure that power is removed or the area is nonhazardous before proceeding.

3. Remove the adjacent module from its base.
4. Use a small bladed screwdriver to rotate the DIN rail locking screw to a vertical position. This releases the locking mechanism.
5. Lift straight up to remove.
6. Slide the safety end cap up to remove it, which exposes the backplane and power connections.
7. Position the replacement adapter vertically above the DIN rail, making certain the DIN rail lock is in the horizontal position.
8. Slide the adapter down, allowing the interlocking side pieces to engage the adjacent module.
9. Press firmly to seat the adapter on the DIN rail, noting that the adapter locking mechanism will snap into place.
10. Set the node address on the Node Address pen push thumbwheel using a pen tip. **Note:** Press a pen tip into the center of the button cross, perpendicular to the button. You only need a small amount of force to press the button (approximately 2 N).
11. Insert the end of the terminal block opposite the handle into the base unit, noting that this end has a curved section that engages with the wiring base.
12. Rotate the terminal block into the wiring base until it locks itself into place.
13. Replace the adjacent module in its base.
14. Reconnect the Ethernet cable(s) to the adapter.
15. Set the IP Address for this module.
16. Configure the adapter's chassis size.

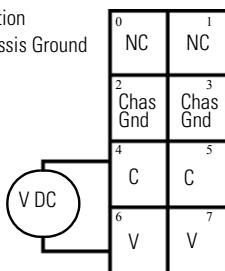


**WARNING:** When used in a Class I, Division 2, hazardous location, this equipment must be mounted in a suitable enclosure with proper wiring method that complies with the governing electrical codes.

## Wire The Adapter



NC = No Connection  
 Chas GND = Chassis Ground  
 C = Common  
 V = Supply



44848

**IMPORTANT** Do not connect 120/240V AC power to this supply. This DC supply will be connected to the internal power bus.



**WARNING:** Do not wire more than two conductors on any single terminal.

---

---



**WARNING:** To comply with the CE Low Voltage Directive (LVD), this equipment must be powered from a Safety Extra Low Voltage (SELV) or Protected Extra Low Voltage (PELV) compliant source.

---

---



**WARNING:** If you connect or disconnect wiring while the field-side power is on, an electrical arc can occur. This could cause an explosion in hazardous location installations. Be sure that power is removed or the area is nonhazardous before proceeding.

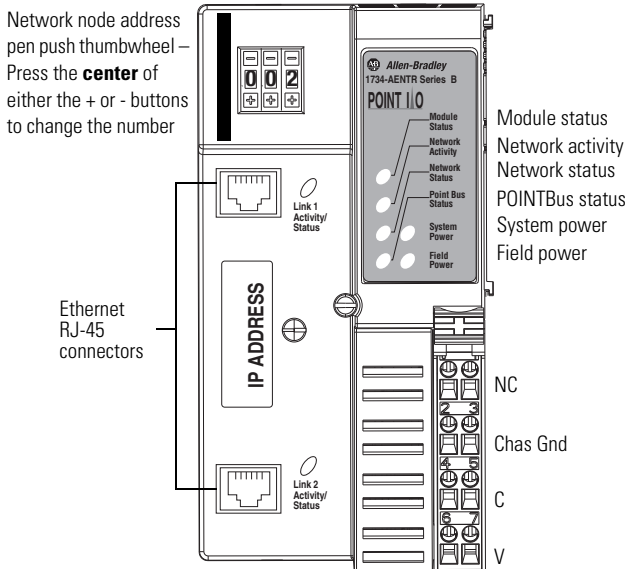
---

---

## Interpret Status Indicators

Refer to the following diagram and table for information on how to interpret the status indicators.

### POINT I/O Dual Port EtherNet/IP Adapter, Series B



43264

### Indicator Status for Modules

Indicator	Status	Description
Module status	Off	No power applied to device
	Flashing green	Device needs commissioning due to missing, incomplete, or incorrect configuration.
	Solid green	Device operating normally
	Flashing red	Recoverable fault. Complete firmware update, verify address switches.
	Solid red	Unrecoverable fault, may require device replacement
	Flashing red/green	Module self-test



## Indicator Status for Modules

Network status	Off	Device is not on-line - Device has not completed dup_MAC_id test. - Device not powered - check module status indicator
	Flashing green	Device is on-line but has no CIP connections in the established state.
	Solid green	Device on-line and has CIP connections in the established state.
	Flashing red	One or more CIP connections in timed-out state. Check for I/O module failure and controller operation. Note: This does not apply to POINTGuard I/O connection timeout.
	Solid red	Duplicate IP address detected. Verify IP address setting and correct, as needed.
	Flashing red/green	Module self-test
Network Activity	Off	No link established with Port 1 or Port 2.
	Flashing green	Transmit or receive activity present on Port 1 and/or Port 2 @ 100 Mb. Transmit or receive activity present on Port 1 and/or Port 2. One port @ 100 Mb and the other port @ 10 Mb.
	Solid green	Link established with Port 1 and/or Port 2 @ 100 Mb. Link established with Port 1 and Port 2. One port @ 100 Mb and the other port @ 10 Mb.
	Solid yellow	Link established with Port 1 and/or Port 2 @ 10 Mb.
	Flashing yellow	Transmit or receive activity present on Port 1 and/or Port 2 @ 10 Mb.
Link 1 or Link 2 Activity / Status	Off	No link established.
	Solid green	Link established @ 100 Mbps.
	Flashing green	Transmit or receive activity present on indicated port @ 100 Mbps.
	Solid yellow	Link established @ 10 Mbps.
	Flashing yellow	Transmit or receive activity present on indicated port @ 10 Mbps.
POINTBus status	Off	Device is not online. Device has not completed Dup_MAC_ID test. Device not powered - check module status indicator.
	Flashing green	Device is online but has no connections in the established state. Firmware (NVS) update in progress.
	Solid green	Adapter online with connections established.
	Flashing red	Recoverable fault occurred: <ul style="list-style-type: none"> <li>• At cycle power, the number of expected modules does not equal the number of modules present.</li> <li>• A module is missing.</li> <li>• Node fault (I/O connection timeout) occurred.</li> </ul>
	Solid red	Unrecoverable fault occurred - the adapter is bus off.
	Flashing red/green	LED powerup test is in progress.
System power	Off	Not active. Adapter power is off or there is a DC-DC converter problem.
	Solid green	System power is on. DC-DC converter output is active (5V).
Field power	Off	Not active. Adapter power is off.
	Solid green	Power is on. 24V input is present.

## Specifications

### POINT I/O EtherNet/IP Adapter — 1734-AENTR, Series B

Attribute	Value
Expansion I/O capacity, max	<ul style="list-style-type: none"> <li>• 63 modules</li> <li>• Up to 5 rack-optimization (for digital modules only) and/or enhanced rack-optimization (for digital, analog, and specialty modules) connections</li> <li>• 31 direct connections<sup>(1)</sup></li> <li>• 1734-AENTR backplane current output = 0.8 A.</li> <li>• Actual number of modules can vary.</li> <li>• Add up current requirements of modules you want to use to make sure they do not exceed the amperage limit of 0.8 A for the 1734-AENTR adapter.</li> <li>• Backplane current can be extended beyond 0.8 A by 1734-EP24DC or 1734-EPAC backplane extension power supplies.</li> <li>• Add multiple 1734-EP24DC or 1734-EPAC modules to reach the 63 module max.</li> </ul>
POINTBus current requirements, max	<ul style="list-style-type: none"> <li>• 50 mA (Catalog number 1734-IB4D)</li> <li>• 75 mA (Catalog numbers 1734-IB2, 1734-IB4, 1734-IB8, 1734-IV2, 1734-IV4, 1734-OB2, 1734-OB4, 1734-OB8, 1734-OB2E, 1734-OB2EP, 1734-OB4E, 1734-OB8E, 1734-OV2E, 1734-OV4E, 1734-232ASC, 1734-485ASC, 1734-ARM, 1734-IV8, 1734-OV8E, 1734-IE4C, 1734-IE8C, 1734-OE4C, 1734-IA4, 1734-IM4, 1734-OA4, 1734-IR2E, 1734-IE2C, 1734-OE2C, 1734-IE2V, 1734-OE2V, 1734-IA2, 1734-IM2, 1734-OA2)</li> <li>• 80 mA (Catalog numbers 1734-OW2, 1734-OW4)</li> <li>• 100 mA (Catalog numbers 1734-OX2, 1734-8CFG, 1734-8CFGDLX, 1734-4IOL)</li> <li>• 110 mA (Catalog number 1734-SSI)</li> <li>• 160 mA (Catalog numbers 1734-IJ2, 1734-IK2)</li> <li>• 175 mA (Catalog number 1734-IT2I)</li> <li>• 180 mA (Catalog numbers 1734-VHSC5, 1734-VHSC24)</li> <li>• 220 mA (Catalog numbers 1734-IR2, 1734-IR2E)</li> </ul>
Module location	Starter module - left side of the 1734 system

<sup>(1)</sup> Maximum 31 direct connections for standard I/O or maximum 20 direct connections if any safety I/O module resides in the backplane.

## Power Supply

Attribute	Value
Input voltage rating	24V DC @ 10A
Input voltage, range	10...28.8V DC
Field side power, max	24V DC @ 400 mA
Inrush current, max	6 A for 10 ms

## Power Supply

Attribute	Value
Input overvoltage protection	Reverse polarity protected
POINTBus output current, max	5V DC @ 0.8A
Interruption	Output voltage stays within specifications when input drops out for 10 ms @ 10V with max load

## Ethernet Communication

Attribute	Value
Ethernet communication rate	10/100 Mbps/s, half or full-duplex
Ethernet ports	2, configured as Embedded Switch
Ethernet network topologies supported	Star, Tree, Daisy-chain/Linear, and Ring
Ethernet connectors	RJ-45, Category 5
Ethernet cable	Category 5: shielded or unshielded
Ethernet wire connections, max	See <a href="#">Wire Size</a> on page 20

## General Specifications

Attribute	Value
Indicators	3 red/green status indicators on CPU: <ul style="list-style-type: none"> <li>– Module status</li> <li>– Network status (Ports 1 and 2 combined)</li> <li>– POINTBus status</li> </ul> 1 green/yellow status indicator on CPU: <ul style="list-style-type: none"> <li>– Network activity (Ports 1 and 2 combined)</li> </ul> 2 green/yellow status indicators on base: <ul style="list-style-type: none"> <li>– Link 1 activity/status</li> <li>– Link 2 activity/status</li> </ul> 2 green power supply status indicators on DC-DC Converter: <ul style="list-style-type: none"> <li>– System power (5V DC to POINTBus Out)</li> <li>– Field power (24V DC from Field In)</li> </ul>
Power consumption, max	10.4 W @ 28.8V DC
Power dissipation, max	6.3 W @ 28.8V DC
Input overvoltage protection	Reverse polarity protected
Thermal dissipation, max	21.5 BTU/hr @ 28.8V DC

## General Specifications


Attribute	Value
Isolation voltage	50V (continuous), Reinforced Insulation Type, between all circuits Type tested @ 500V AC for 60 s
Field power supply	10...28.8V DC @ 10A
Field power output	10...28.8V DC @ 9A
Module input	10...28V DC @ 1000 mA
POINTBus output, max	5V DC @ 0.8A
Dimensions (HxWxD), approx.	76.2 x 73.0 x 133.4 mm (3.0 x 2.87 x 5.25 in.)
Enclosure type rating	None (open-style)
Terminal base screw torque	0.8 Nm (7 lb-in)
Weight, approx.	0.28 Kg (0.62 lb)
Wiring category <sup>(1)</sup>	1 – on power ports 1 – on communications ports
Wire Size	Power connections: 0.34... 2.1 mm <sup>2</sup> (22...14 AWG) solid or stranded copper wire rated @ 75 °C (167 °F) or greater, 1.2 mm (3/64 in.) insulation max or 90 °C (194 °F) for ControlLogix. Ethernet wiring: RJ45 connector according to IEC 60603-7, 2 or 4 pair Category 5e min cable according to TIA 568-B.1 or Category 5 cable according to ISO/IEC 24702.
North American temp code	T4
IEC Temp Code	T4

<sup>(1)</sup> Use this Conductor Category information for planning conductor routing. Refer to Industrial Automation Wiring and Grounding Guidelines, publication [1770-IN041](#).

## Environmental Specifications

Attribute	Value
Temperature, operating	IEC 60068-2-1 (Test Ad, Operating Cold), IEC 60068-2-2 (Test Bd, Operating Dry Heat), IEC 60068-2-14 (Test Nb, Operating Thermal Shock): -20...55 °C (-4...131 °F)
Temperature, surrounding air, max	55 °C (131 °F)
Temperature, nonoperating	IEC60068-2-1 (Test Ab, Unpackaged Nonoperating Cold) IEC60068-2-2 (Test Bb, Unpackaged Nonoperating Dry Heat) IEC60068-2-14 (Test Na, Unpackaged Nonoperating Thermal Shock): -40...85 °C (-40...185 °F)
Relative humidity	IEC 60068-2-30 (Test Db, Unpackaged Damp Heat): 5...95% non-condensing
Vibration	IEC 60068-2-6 (Test Fc, Operating): 5 g @ 10...500 Hz
Shock, operating	IEC60068-2-27 (Test Ea, Unpackaged Shock): 30 g
Shock, nonoperating	IEC60068-2-27 (Test Ea, Unpackaged Shock): 50 g
Emissions	CISPR 11: Group 1, Class A
ESD immunity	IEC61000-4-2: 6 kV contact discharges 8 kV air discharges
Radiated RF immunity	IEC 61000-4-3: 10V/m with 1 kHz sine-wave 80% AM from 80...2000 MHz 10V/m with 200 Hz 50% Pulse 100% AM @ 900 MHz 10V/m with 200 Hz 50% Pulse 100% AM @ 1890 MHz 10V/m with 1 kHz sine-wave 80% AM from 2000...2700 MHz
EFT/B immunity	IEC 61000-4-4: ±4 kV @ 5 kHz on power ports ±3 kV @ 5 kHz on communications ports
Surge transient immunity	IEC 61000-4-5: ±1 kV line-line (DM) and ±2 kV line-earth (CM) on power ports ±2 kV line-earth (CM) on communications ports
Conducted RF immunity	IEC61000-4-6: 10V rms with 1 kHz sine-wave 80% AM from 150 kHz...80 MHz

## Certifications

Certification (when product is marked) <sup>(1)</sup>	Value
c-UL-us	UL Listed Industrial Control Equipment, certified for US and Canada. See UL File E65584.  UL Listed for Class I, Division 2 Group A,B,C,D Hazardous Locations, certified for U.S. and Canada. See UL File E194810.
CE	European Union 2004/108/EC EMC Directive, compliant with: EN 61326-1; Meas./Control/Lab., Industrial Requirements EN 61000-6-2; Industrial Immunity EN 61000-6-4; Industrial Emissions EN 61131-2; Programmable Controllers (Clause 8, Zone A & B)
C-Tick	Australian Radiocommunications Act, compliant with: AS/NZS CISPR11; Industrial Emissions
Ex  	European Union 94/9/EC ATEX Directive, compliant with: EN 60079-15:2010; Potentially Explosive Atmospheres, Protection "n" EN 60079-0:2012 + A11:2013; General Requirements II 3 G Ex nA IIC T4 Gc DEMKO 04 ATEX 0330347X
KC	Korean Registration of Broadcasting and Communications Equipment, compliant with: Article 58-2 of Radio Waves Act, Clause 3
EtherNet/IP	ODVA conformance tested to EtherNet/IP specifications

<sup>(1)</sup> See the Product Certification link at <http://www.rockwellautomation.com/products/certification/> for Declaration of Conformity, Certificates, and other certification details.

**Notes:**

## Rockwell Automation Support

Rockwell Automation provides technical information on the Web to assist you in using its products. At <http://www.rockwellautomation.com/support/>, you can find technical manuals, a knowledge base of FAQs, technical and application notes, sample code and links to software service packs, and a MySupport feature that you can customize to make the best use of these tools.

For an additional level of technical phone support for installation, configuration and troubleshooting, we offer TechConnect support programs. For more information, contact your local distributor or Rockwell Automation representative, or visit <http://www.rockwellautomation.com/support/>.

## Installation Assistance

If you experience a problem within the first 24 hours of installation, please review the information that's contained in this manual. You can also contact a special Customer Support number for initial help in getting your product up and running.

United States or Canada	1.440.646.3434
Outside United States or Canada	Use the <a href="#">Worldwide Locator</a> at <a href="http://www.rockwellautomation.com/support/americas/phone_en.html">http://www.rockwellautomation.com/support/americas/phone_en.html</a> , or contact your local Rockwell Automation representative.

## New Product Satisfaction Return

Rockwell Automation tests all of its products to ensure that they are fully operational when shipped from the manufacturing facility. However, if your product is not functioning and needs to be returned, follow these procedures.

United States	Contact your distributor. You must provide a Customer Support case number (call the phone number above to obtain one) to your distributor to complete the return process.
Outside United States	Please contact your local Rockwell Automation representative for the return procedure.

## Documentation Feedback

Your comments will help us serve your documentation needs better. If you have any suggestions on how to improve this document, complete this form, publication [RA-DU002](#), available at <http://www.rockwellautomation.com/literature/>.

Allen-Bradley, Rockwell Automation, POINT I/O, and TechConnect are trademarks of Rockwell Automation, Inc.

Trademarks not belonging to Rockwell Automation are property of their respective companies.

Rockwell Otomasyon Ticaret A.Ş., Kar Plaza İş Merkezi E Blok Kat:6 34752 İçerenköy, İstanbul, Tel: +90 (216) 5698400

[www.rockwellautomation.com](http://www.rockwellautomation.com)

### Power, Control and Information Solutions Headquarters

Americas: Rockwell Automation, 1201 South Second Street, Milwaukee, WI 53204-2496 USA, Tel: (1) 414.382.2000, Fax: (1) 414.382.4444  
Europe/Middle East/Africa: Rockwell Automation, Voortaan/Bolevard du Souverain 36, 1170 Brussels, Belgium, Tel: (32) 2 663 0600, Fax: (32) 2 663 0640  
Asia Pacific: Rockwell Automation, Level 14, Core F, Cyberport 3, 100 Cyberport Road, Hong Kong, Tel: (852) 2887 4788, Fax: (852) 2508 1846

Publication 1734-IN041D-EN-P - August 2015

PN-327916

Supersedes Publication 1734-IN041C-EN-P - March 2015

Copyright © 2015 Rockwell Automation, Inc. All rights reserved